

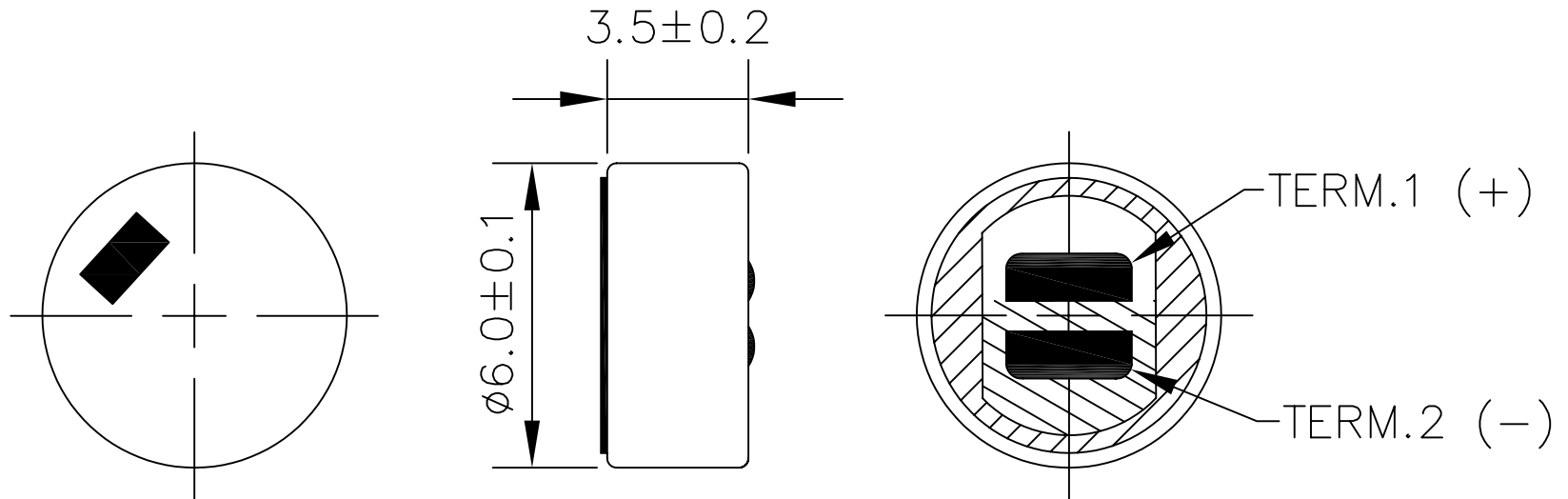
THIS DOCUMENT CONTAINS DATA PROPRIETARY TO PROJECTS UNLIMITED, INC. ANY USE OR REPRODUCTION, IN ANY FORM, WITHOUT PRIOR WRITTEN PERMISSION OF PROJECTS UNLIMITED, INC. IS PROHIBITED.
© 2005, Projects Unlimited Inc.

SPECIFICATIONS

PARAMETERS	VALUES	UNITS
DIRECTIVITY	OMNI	—
SENSITIVITY	-49±3	dB
STANDARD OPERATING VOLTAGE	2	Vdc
MAX OPERATING VOLTAGE	10	Vdc
CURRENT CONSUMPTION (MAX)	0.5	mA
IMPEDANCE	2.2	kOhm
SIGNAL TO NOISE RATIO (MIN.)	60	dB
TERMINAL	SOLDER PAD	—
INTERNAL CAPACITOR	—	pF

REVISIONS

LTR	DESCRIPTION	DATE	APPROVED
—	RELEASED FROM ENGINEERING	4/14/06	



NOTES:

- ALL DIMENSIONS ARE IN MILLIMETERS.
- SPECIFICATION SUBJECT TO CHANGE OR WITHDRAWAL WITHOUT NOTICE.
- THIS PART IS RoHS 2002/95/EC COMPLIANT.
- MICROPHONE CLOTH OVER FACE IS IP51 RATED

FILE NAME
POM-3549L-R.DWG

UNLESS OTHERWISE SPECIFIED:
DIMENSIONS ARE IN
MILLIMETERS, TOLERANCES ARE ± 0.5 AND
ANGLES ARE $\pm 3^\circ$.



projects®
unlimited

Dayton, Ohio

MICROPHONE

APPROVALS	DATE
DRAWN <i>B.R.</i>	4/06
CHECKED <i>B.R.</i>	4/06
APPROVED <i>E.P.</i>	4/06

SIZE
A

DRAWING NO.
POM-3549L-R

DO NOT SCALE DRAWING

SCALE: N.T.S.

SHEET 1 OF 1